

A Message from  
ILLINOIS ATTORNEY GENERAL  
LISA MADIGAN



As Attorney General, it is my job to ensure that all Illinois residents, including people with disabilities, receive equal protection under the law. I am committed to working on behalf of people with disabilities to provide them with complete accessibility.

My office's Disability Rights Bureau employs a full-time staff that strives to make schools, the workplace, and all public facilities open and available to everyone.

Questions and complaints about accessible parking represent one of the largest categories of inquiries to the Bureau. I hope that this brochure provides you with a clear understanding of the accessible parking laws.

If you have a question, see an improperly marked accessible parking space or find a facility without any accessible parking spaces, please contact the Disability Rights Bureau.

Lisa Madigan  
Attorney General



**LISA MADIGAN**  
ILLINOIS ATTORNEY GENERAL

*If you see an improperly marked accessible parking space, or facilities with no such spaces, you can contact the Disability Rights Bureau with your complaint.*

DISABILITY RIGHTS BUREAU

**CHICAGO**

100 West Randolph Street  
Chicago, Illinois 60601  
1-312-814-5684  
TTY: 1-800-964-3013

**SPRINGFIELD**

500 South Second Street  
Springfield, Illinois 62706  
1-217-524-2660  
TTY: 1-877-844-5461

**\$500 fine in  
Algonquin**

**ACCESSIBLE  
PARKING  
FOR PEOPLE WITH  
DISABILITIES**

A GUIDE TO YOUR  
RIGHTS UNDER THE LAW



[www.IllinoisAttorneyGeneral.gov](http://www.IllinoisAttorneyGeneral.gov)

Printed by authority of the State of Illinois. 11/08.5M.0916  
This material is available in alternate format upon request.



# Accessible Parking: Know the Rules

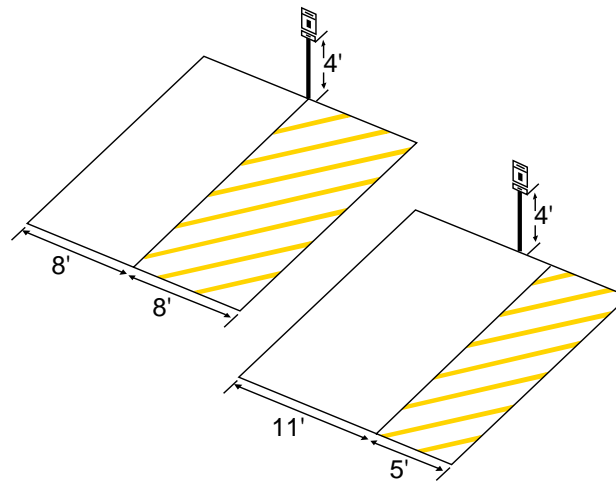
Any facility offering parking for employees or visitors must provide accessible parking for people with disabilities. An accessible parking space consists of a vehicle space and a diagonally striped access aisle. The entire space must be kept clear of obstructions—including ice, snow, shopping cart corrals, trash cans, seasonal garden displays, and bicycle racks—at all times.



Above: Example of an accessible parking space that complies with Illinois law.

## SIZE AND MARKINGS

Each accessible parking space, except on-street spaces, shall be 16 feet wide, including either an eight-foot or five-foot wide diagonally striped access aisle. The access aisle can be located on either side of the vehicle portion of the accessible space. High-quality yellow paint, manufactured especially for pavement striping, must be used. Adjacent accessible parking spaces cannot share a common access aisle.



Above: Illustration of two examples of legal accessible parking spaces.

## LOCATION

Accessible parking must be placed on level pavement on the shortest accessible route to an accessible entrance. The accessible route, which may include a curb ramp or curb cut, must be installed as close as possible to the accessible entrance it serves. Additionally, a curb ramp must never be built so that it protrudes into or interferes with the diagonally striped access aisle of an accessible space.

## SIGNS

A U.S. Department of Transportation R7-8 (Reserved Parking) and an R7-I101 (\$250 Fine) sign must be permanently mounted in the center of the 16-foot wide accessible parking space. The signs must be placed no more than five feet from the front of the parking space and must be high enough so that they are visible over a parked car. At minimum, the bottom of the R7-I101 sign must be four feet from the pavement. Municipalities may impose a larger fine (up to \$350) through the adoption of a local ordinance.

## PROPER USE OF LICENSE PLATES/PLACARDS

Under Illinois law, disability license plates, disabled veterans plates and placards are not transferable. The authorized holder must be present and must enter or exit the vehicle at the time the parking privileges are being used. Unauthorized use can result in a \$500 fine, driver's license suspension, and suspension or revocation of the plate or placard by the Illinois Secretary of State.

## SPACE REQUIREMENTS

To comply with Illinois law, a minimum number of accessible parking spaces must be provided:

Total Off-Street Parking Spaces Provided	Number of Accessible Parking Spaces Required
1 to 25	1
26 to 50	2
51 to 75	3
76 to 100	4
101 to 150	5
151 to 200	6
201 to 300	7
301 to 400	8
401 to 500	9
501 to 1,000	2% of total
over 1,000	20 plus 1 for each 100 over 1,000

Outpatient facilities providing medical care and other services for persons with mobility impairments . . . . . 10% of total

Medical facilities specializing in treatment of persons with mobility impairments . . . . . 20% of total